

# Height Rod Model DS1100



883 Enterprise Court  
St. Charles, IL 60174  
1-800-264-4107  
www.doranmedical.com

MAN0332 Rev 0.3



## Installation

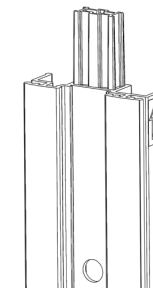
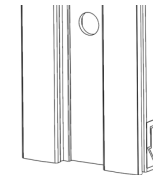
Required tools:

- Drill with a  $\phi 5/16$ " Drill bit
- Phillips screwdriver
- Supplied mounting hardware
- Scissors
- Level
- Pencil

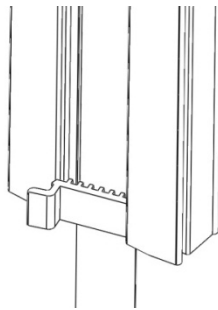
- 1) To install your height rod, first determine the maximum height required for measurement.

Minimum Range	1.25 – 55.0"	3.0 – 140.0 cm
Maximum Range	38.5 – 92.5"	98.5 – 235.0 cm
Typical Range	28.0 – 82.0"	71.0 – 208.0 cm

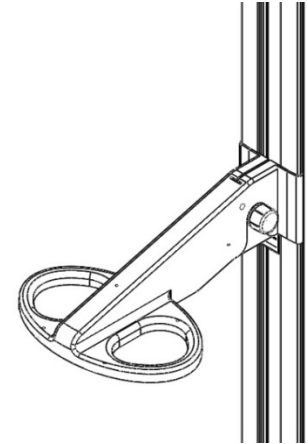
- 2) Place the tape measure zero point on the floor and measure the desired height. Add 4.25" (10.5 cm) to your desired maximum height and mark the wall.
- 3) Identify the top and lower portions of the height rod. The lower half has a mating plastic part as shown below.



- 4) Place the upper height rod onto the wall with the arrow sticker on the rod pointing down, aligning the top of the height rod to the mark made in step 2. Use a level to ensure the height rod is in a vertical orientation and mark the mounting holes.
- 5) Drill the holes with a  $\phi 5/16$ " ( $\phi 8$  mm) bit and mount the height rod to the wall with the supplied hardware.
- 6) Connect the bottom half of the height rod to the upper part mounted to the wall until the two arrows meet. Be sure there is a tight fit between the upper and lower parts. Use a level to ensure the height rod is in a vertical orientation and mark the mounting holes.
- 7) Drill the holes with a  $\phi 5/16$ " ( $\phi 8$  mm) bit and mount the height rod to the wall with the supplied hardware.
- 8) Install the tape measure into the height rod and secure on one end, with the zero point touching the floor. The tab will click when inserted fully.



- 9) Install the measurement arm onto the height rod.



- 10) Secure the other end of the tape measure. The tab will click when inserted fully.
- 11) Cut the remaining tape on the top and bottom of the height rod.
- 12) Adjust the resistance of the height arm travel with the knob on the right of the arm. Turn clockwise to tighten and counterclockwise to loosen.

## Operation

- Adjust the resistance of the height arm travel with the knob on the right of the arm. Turn clockwise to tighten and counterclockwise to loosen.
- When moving height measurement arm, grip near the adjustment knob.