

**DS4050**

---

Infant Scale

# User Manual

**doran**<sup>®</sup>

<b>Section 1. Unpacking and Care .....</b>	<b>1</b>
Unpacking .....	1
Cautions and Warnings .....	1
Care & Cleaning .....	1
Preventive Maintenance .....	1
Installation .....	2
Battery Installation.....	2
<b>Section 2. Scale Operation.....</b>	<b>3</b>
Display Pushbuttons.....	3
Weighing a Patient .....	5
Zero Operation .....	5
RECALL Operation.....	5
<b>Section 4. Specifications.....</b>	<b>6</b>
<b>Section 5. Troubleshooting.....</b>	<b>7</b>
General Problem Resolution .....	7
Error Messages.....	8

## **Section 1. Unpacking and Care**

Thank you for purchasing a Doran scale. This product has been designed with the highest level of technology. We are dedicated to delivering a superior product that will provide many years of trouble free service.

As an ISO9001 registered company, Doran Scales is dedicated to delivering products built with strict compliance to our high quality standards. If you have any questions regarding your scale, please contact Doran Scales, Inc.

### **Unpacking**

Carefully remove the scale from the shipping carton. If you notice any shipping damage, notify the shipper immediately. Be sure to retain all shipping materials in case the scale must be shipped elsewhere.

### **Cautions and Warnings**

Normal care should be taken when handling and using this product. Improper handling or abuse can damage the scale and result in costly repairs that may not be covered by the warranty. Please observe the following precautions to ensure years of trouble free service from your new scale.

- Do not use sharp objects to press any of the buttons.
- Do not pick up the scale by the indicator or cables.
- Do not use the scale if it is damaged in any way.
- Do not leave patients unattended on the scale.
- Do not exceed the scale capacity.
- Do not drop the scale.
- Do not drop objects on the scale.
- When transporting, do not hit other objects, walls or doorframes with the scale.

### **Care & Cleaning**

With reasonable care, this product will last for many years. Here are some tips to care for your scale. Failure to comply with these guidelines may void the warranty.

- This scale will withstand typical cleaning methods and chemicals that are used in healthcare environments. This includes but not limited to cleaners that contain sodium hypochlorite (bleach), hydrogen peroxide and alcohol.
- Do not get water inside the indicator or platform.
- Do not immerse in water or any liquid.
- Do not use strong solvents or abrasive cleaners as this can damage the touch panel or other plastic parts.

### **Preventive Maintenance**

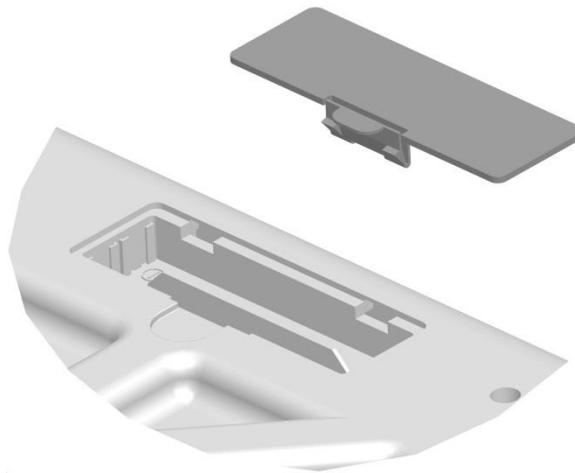
- Examine the scale periodically for damage and wear and tear before use.
- If the scale is damaged, check calibration of the scale and safety before use.
- Check calibration annually and calibrate if necessary.
- Remove batteries during long periods of non-use.

## **Installation**

Place the scale on a stable flat surface. The scale should rest evenly on all four feet.

## **Battery Installation**

The batteries can be accessed on the bottom of the scale. To access the battery compartment, turn the scale upside down and open the battery compartment door. When installing the new set of batteries, be sure the batteries are oriented properly.



**Fig. 1 Battery Door**

## **Section 2. Scale Operation**

### **Display Pushbuttons**

The Model DS4050 controls consist of ON/TARE, UNITS and RECALL buttons. The display is used to provide weight indications and operator messages indicating scale operation.

### **ON/TARE**

Press the ON/TARE button to turn on the scale. The scale has an Automatic Shutoff Timer that will power down the indicator after 3 minutes.

The ON/TARE button can be held to turn off the scale.

When the ON/TARE button is pressed while the scale is on, the display will be reset to zero weight. This feature can be used to zero out any weight not desired to be part of the patient weight.

### **UNITS**

Press the UNITS button to switch the displayed weight units between pound-ounce and kilograms.

### **RECALL**

Displays the last patient weight. The last weight is available as long as the scale remains on but is replaced with next patient weight when next used. It is also cleared when the scale powers off.

## **Display Annunciators**

The display annunciators will indicate the scale status.

### **zero**

Indicates that the scale has an accurate zero reading.

### **mem**

Indicates a weight is now held in memory. The RECALL button can now be used to display this value after the patient has been removed from the scale. Weights below 2lb 0.3oz will not be held in memory. mem is also displayed after the RECALL button is pressed while viewing a held weight.

### **lb oz**

Indicates that the scale is displaying weight in pounds and ounces.

### **kg**

Indicates that the scale is displaying weight in kilograms.

### **Weighing a Patient**

1. Press ON/TARE. The scale will turn on and display a zero weight.
2. Place the patient on the scale.
3. When a stable weight is reached the **mem** annunciator will be displayed. **mem** indicates that the patient's weight is stable and has been saved to memory.
4. Record the patient's weight and remove the patient from the scale. The RECALL button can then be used to display the last weight.
5. The scale will automatically turn off after 3 minutes or the ON/TARE button can be held to turn off the scale.

### **Zero Operation**

1. Place the item to be zeroed on the scale platform.
2. Press ON/TARE. The scale will turn on and display a zero weight. If the item is removed, a negative weight will be displayed.  
*Note: Each time the scale is powered up, the zero point is reset.*
3. Place the patient on the scale and the patient's weight, less the item's weight, will be displayed.

**OR**

1. With the scale on, press ON/TARE.
2. The display will zero when the scale stabilizes.

### **RECALL Operation**

With the patient off the scale, press the RECALL button to display the last patient's weight. Only weights of 2lb 3.0oz or higher will be held in memory.

## Section 4. Specifications

Scale Dimensions	23.5" Long x 11" Wide
Scale Weight	5.25 lb (2.5 kg)
Power	4 AA Alkaline Batteries (not included) AC Adapter (included)
Displayed Units	lb:oz, kg
Capacity	45 lb x 0.2 oz 20 kg x 0.005 kg
Environmental - Operating Temperature - Storage Temperature - Humidity	50 to 104°F (10 to 40°C) -4 to 140°F (-20 to 60°C) <80% relative humidity



## Section 5. Troubleshooting

### General Problem Resolution

<b>Problem</b>	<b>What to Do or Check</b>
Weight reading will not repeat or scale does not return to zero when weight is removed.	Person or object other than that being weighed is touching the scale.  Verify that there is nothing caught in the feet area or interfering with the feet. Do not use on carpet.
Scale overloads before scale capacity is reached.	Verify scale calibration is correct. If problem persists, recalibrate the scale.
Scale will not come to zero when the ZERO button is pressed.	Make sure that the scale is stabilizing. After pressing the ZERO button, the scale should zero as soon as it becomes stable.
Weight readings are not correct.	Verify the scale calibration with an accurate test weight. If the readings are not correct, recalibrate.  Be sure the platform is on a flat surface and all four feet are touching the surface.
Scale drifts off zero.	Check for air currents and/or vibration around the scale.
Scale shuts itself off or will not turn on.	Press the ON/TARE button to turn on the indicator.  Check that new batteries are installed properly in the battery tray.

## Error Messages

Error Message	What to Do or Check
Lo	Low battery. Replace batteries.
o_Ld	The scale is in overload. The load on the scale platform exceeds the scale capacity.  Remove excess weight from scale platform. If problem persists, recalibrate. If this problem still persists, contact Doran Technical Support for assistance.
Err	RECALL pressed without a weight held in memory. To store a weight in memory, 2lb 3.0oz or higher must be applied to the scale. Weights below this value will not be held in memory.

**Doran Scales, Inc.  
883 Enterprise Court  
St. Charles, IL 60174**

**[www.doranscales.com](http://www.doranscales.com)**

**[tech@doranscales.com](mailto:tech@doranscales.com)**